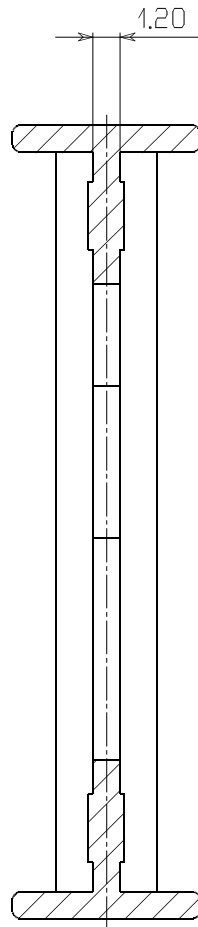
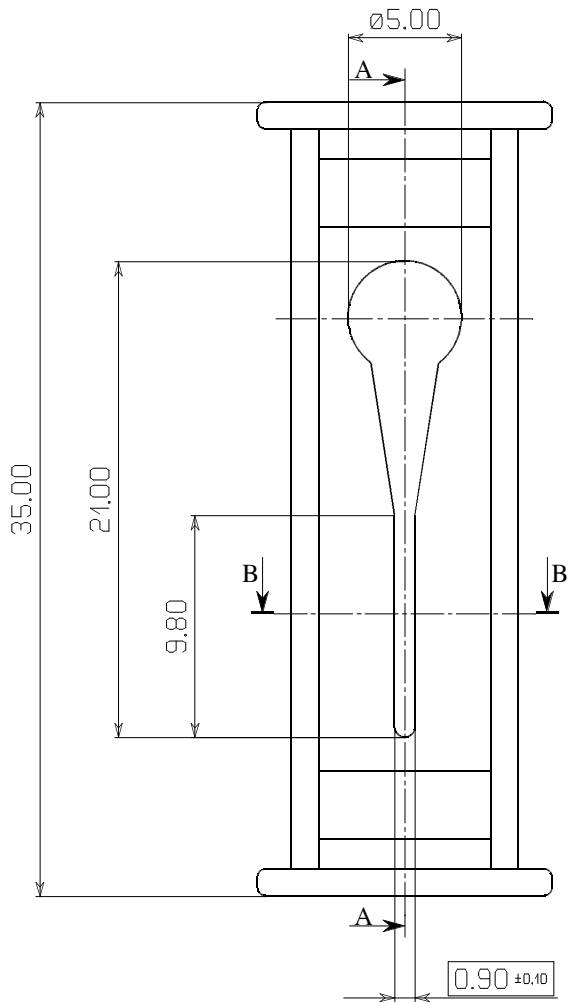


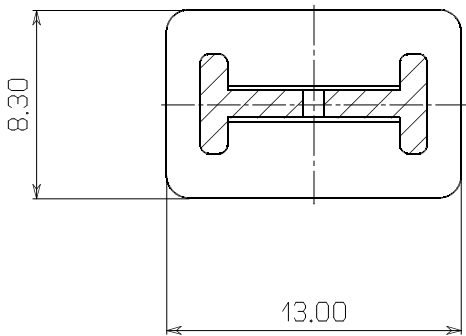


Tav. N°
C

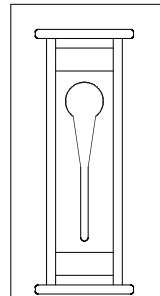
SEZ. A-A



SEZ. B-B



**ORIGINAL IN
RED**



DIMENSIONAL TOLERANCES
ACCORDING TO EN 20286
(ISO 286)

SCALE
SCALA

3:1

	10808505L	9700650000	TERLUX 2802 HD	ABS	+1% Col. GIALLO Cod. 9780050000
	10808502L	9700650000	TERLUX 2802 HD	ABS	+1% Col. BLU Cod. 9780020000
	10808501L	9700650000	TERLUX 2802 HD	ABS	+1% Col. ROSSO Cod. 9780010000
ITEM	ARTICLE CODE	MATERIAL CODE	TITLE	MATERIAL OR TITLE	NOTE

EN 20286	Js 01	Js 4	Js 9	Js 14
	Js 0	Js 5	Js 10	Js 15
	Js 1	Js 6	Js 11	Js 16
	Js 2	Js 7	Js 12	Js 17
	Js 3	Js 8	Js 13	

DATE
DATA
25/01/2008

CHECKED - VISTO
CHANGED FROM - MODIFICHE

ARTICLE DESCRIPTION
DESCRIZIONE
**PIASTRINA MICRO
ABS**

DRAWING CODE
NR. STAMPO

**108L
ABS**

THIS MATERIAL IS THE PROPERTY OF LUCOVED S.p.A. THE INFORMATION IS CONFIDENTIAL AND IS TO BE USED ONLY IN CONNECTION WITH MATTERS AUTHORIZED BY LUCOVED S.p.A. AND NO PART OF IT IS TO BE DISCLOSED TO OTHERS WITHOUT PRIOR WRITTEN PERMISSION FROM LUCOVED S.p.A.