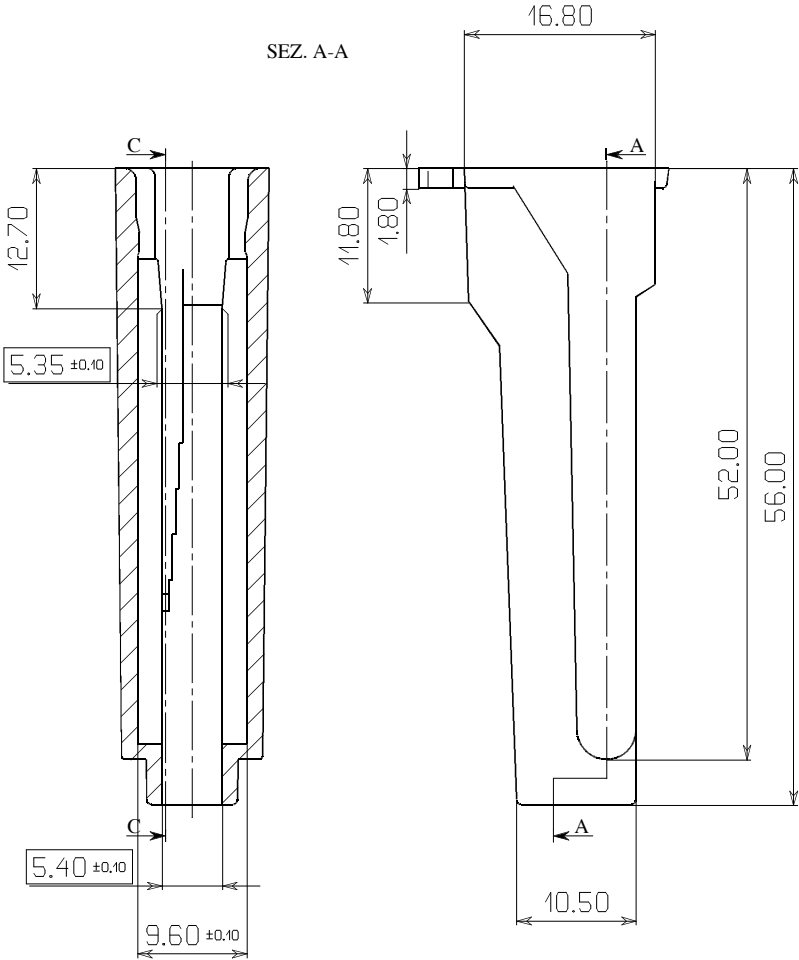
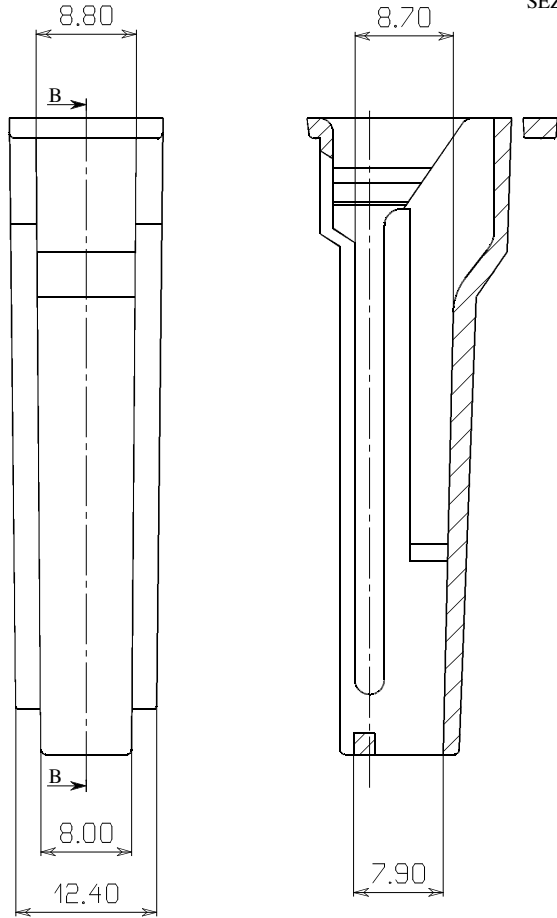


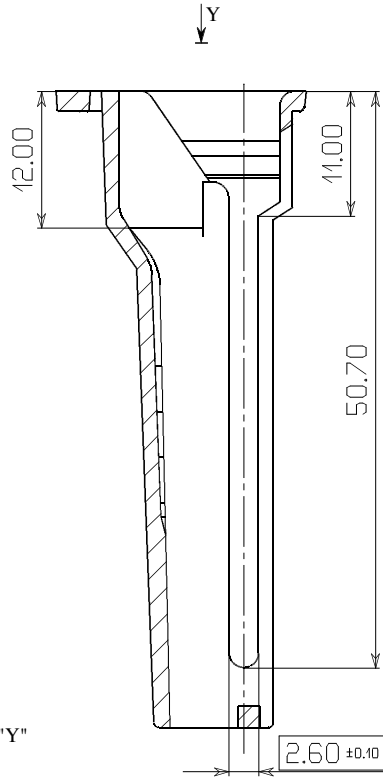
SEZ. A-A



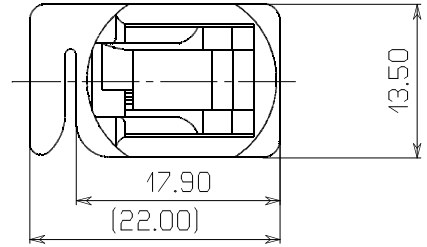
SEZ. B-B



SEZ. C-C



VISTA "Y"



ORIGINAL IN RED

DIMENSIONAL TOLERANCES ACCORDING TO EN 20286 (ISO 286)				SCALE SCALA 1.5:1		13808507L		9700650000		TERLUX 2802 HD		ABS		+2% Col. Giallo Cod.9760050000	
						13808503L		9700650000		TERLUX 2802 HD		ABS		+1% Col. Bianco Cod.9780030000	
						13808502L		9700650000		TERLUX 2802 HD		ABS		+1% Col. Blu Cod.9780020000	
EN 20286		Js 01 Js 4 Js 9 Js 14		DATE DATA		ITEM		ARTICLE CODE		MATERIAL CODE		TITLE		MATERIAL OR TITLE	
		Js 0 Js 5 Js 10 Js 15		25/01/2008		CHECKED - VISTO				ARTICLE DESCRIPTION		DRAWING CODE		NR. STAMPO	
		Js 1 Js 6 Js 11 Js 16				CHANGED FROM - MODIFICHE				CARRELLO ROLLER DI PRECISIONE PER TUBO ø 3.0 x 4.1		138L			
		Js 2 Js 7 Js 12 Js 17													
		Js 3 Js 8 Js 13													