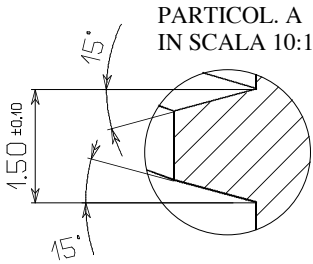
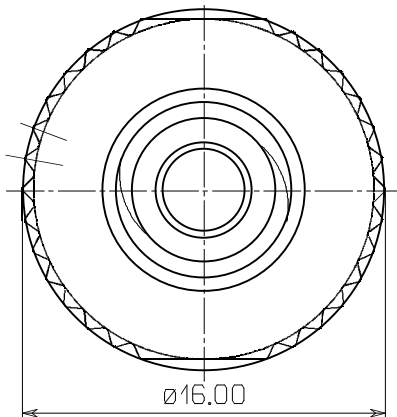
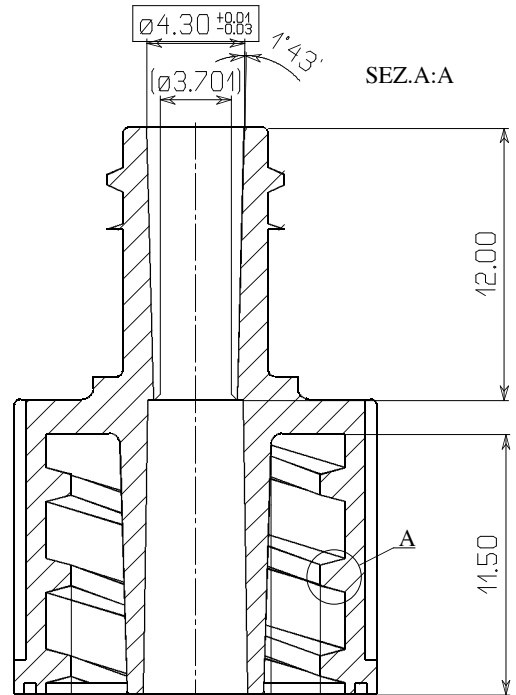
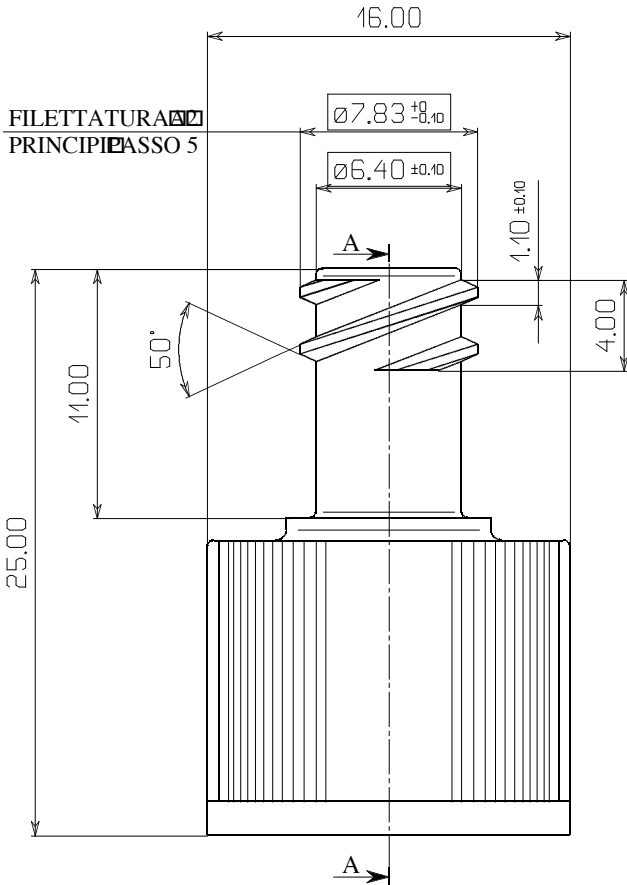
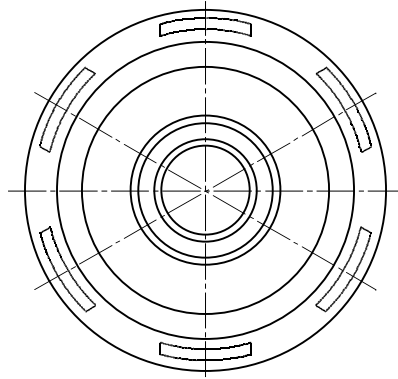


THIS MATERIAL IS THE PROPERTY OF LUCOMED S.p.A. THE INFORMATION IS CONFIDENTIAL AND IS TO BE USED ONLY IN CONNECTION WITH MATTERS AUTHORIZED BY LUCOMED S.p.A. AND NO PART OF IT IS TO BE DISCLOSED TO OTHERS WITHOUT PRIOR WRITTEN PERMISSION FROM LUCOMED S.p.A.

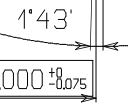
Tav. N°
C



ORIGINAL IN RED

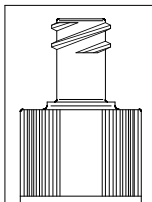


FILETTATURA
PRINCIPI PASSO



$\varnothing 11.00 \pm 0.10$

$\varnothing 13.20 \pm 0.10$



NOTE:
CONFORME
ALLE NORME
EN 1283 - ISO 594

DIMENSIONAL TOLERANCES
ACCORDING TO EN 20286
(ISO 286)

SCALE
SCALA

3:1

20908500L

9700650000

TERLUX
2802 HD

ABS

ITEM

ARTICLE CODE

MATERIAL CODE

TITLE

MATERIAL
OR TITLE

EN 20286

Js 01	Js 4	Js 9	Js 14
Js 0	Js 5	Js 10	Js 15
Js 1	Js 6	Js 11	Js 16
Js 2	Js 7	Js 12	Js 17
Js 3	Js 8	Js 13	

DATE
DATA
25/01/2008

CHECKED - VISTO

CHANGED FROM - MODIFICHE

ARTICLE DESCRIPTION
DESCRIZIONE
**RACCORDO LOCK MASCHIO
x ATTACCO DIALIZZATORE
LUER LOCK FEMMINA**

DRAWING CODE
NR. STAMPO

209L
ABS