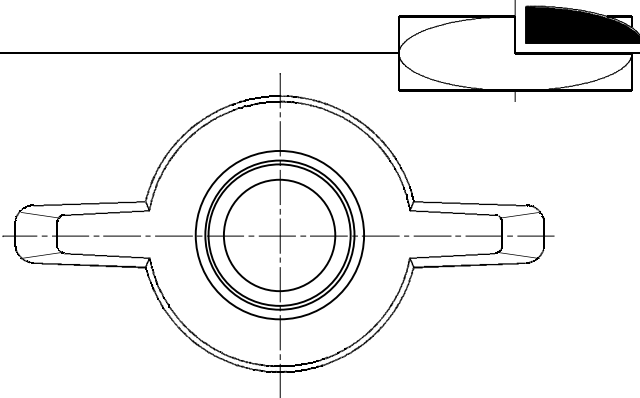


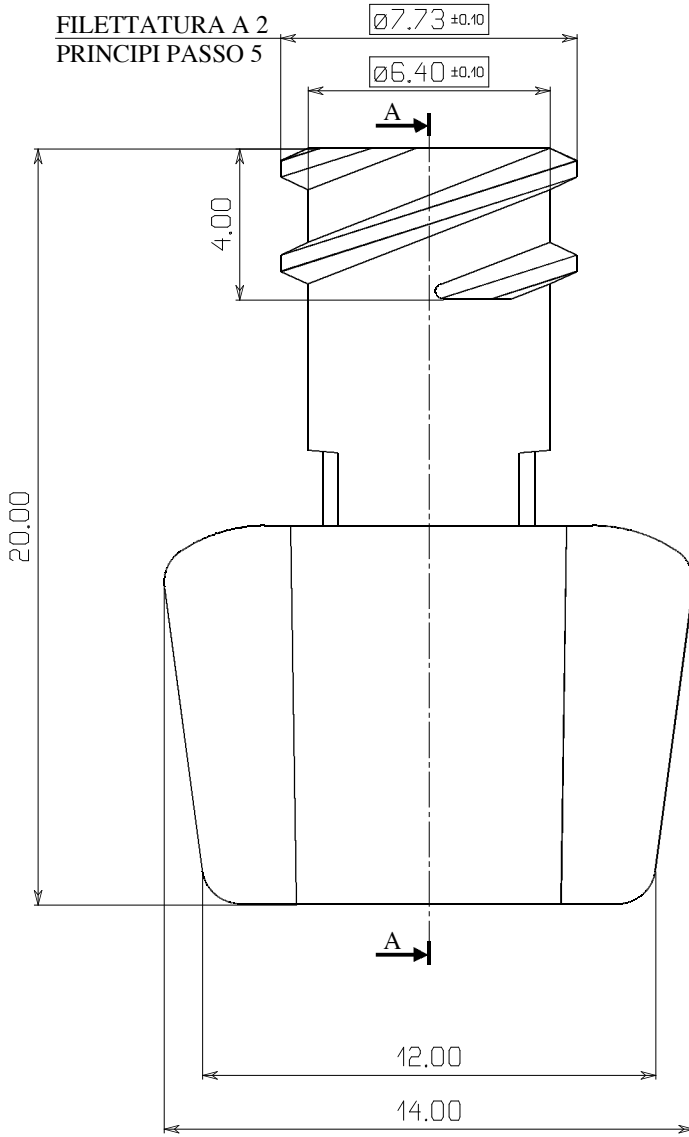
THIS MATERIAL IS THE PROPERTY OF LUCOMED S.p.A. THE INFORMATION IS CONFIDENTIAL AND IS TO BE USED ONLY IN CONNECTION WITH MATTERS AUTHORIZED BY LUCOMED S.p.A. AND NO PART OF IT IS TO BE DISCLOSED TO OTHERS WITHOUT PRIOR WRITTEN PERMISSION FROM LUCOMED S.p.A.

Tav. N°

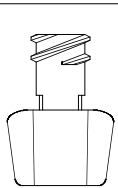
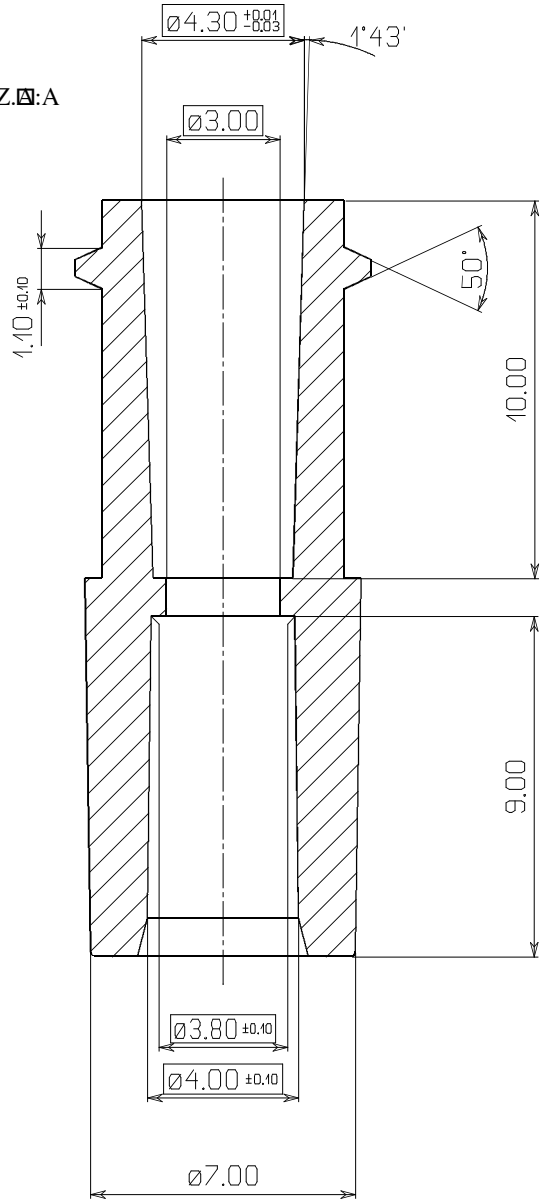
C



FILETTATURA A 2
PRINCIPI PASSO 5



SEZ. A-A



**ORIGINAL IN
RED**

CONO CONFORME ALLE NORME ISO 594

DIMENSIONAL TOLERANCES ACCORDING TO EN 20286 (ISO 286)				SCALE SCALA 5:1		ITEM		ARTICLE CODE 32248500L		MATERIAL CODE 9700650000		TITLE TERLUX 2802 HD		MATERIAL OR TITLE ABS		NOTE	
EN 20286	Js 01	Js 4	Js 9	Js 14	DATE DATA 25/01/2008	CHECKED - VISTO		ARTICLE DESCRIPTION DESCRIZIONE RACCORDO L.L.F. ABS CON ALETTE ø 4.1		DRAWING CODE NR. STAMPO 322-4L ABS							
	Js 0	Js 5	Js 10	Js 15		CHANGED FROM - MODIFICHE											
	Js 1	Js 6	Js 11	Js 16													
	Js 2	Js 7	Js 12	Js 17													
	Js 3	Js 8	Js 13														