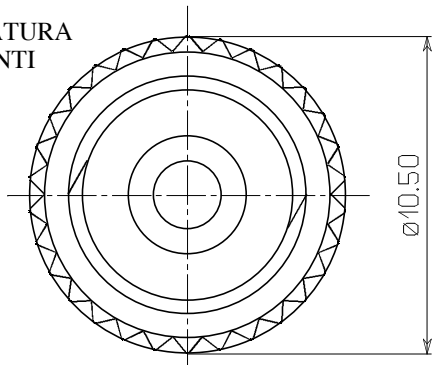


THIS MATERIAL IS THE PROPERTY OF LUCOMED S.p.A. THE INFORMATION IS CONFIDENTIAL AND IS TO BE USED ONLY IN CONNECTION WITH MATTERS AUTHORIZED BY LUCOMED S.p.A. AND NO PART OF IT IS TO BE DISCLOSED TO OTHERS WITHOUT PRIOR WRITTEN PERMISSION FROM LUCOMED S.p.A.

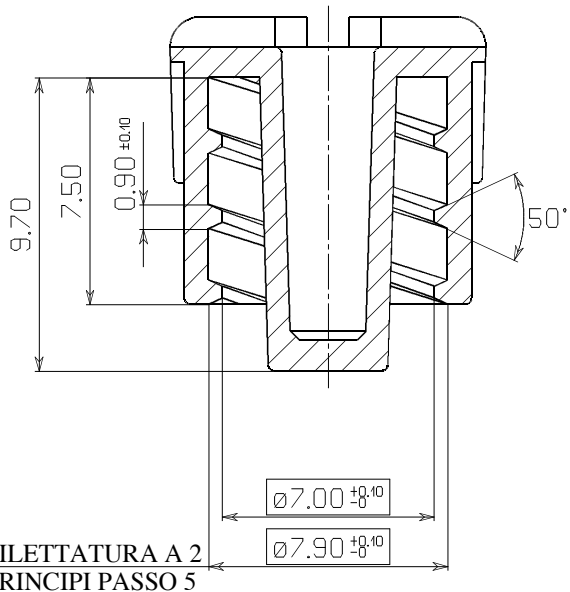
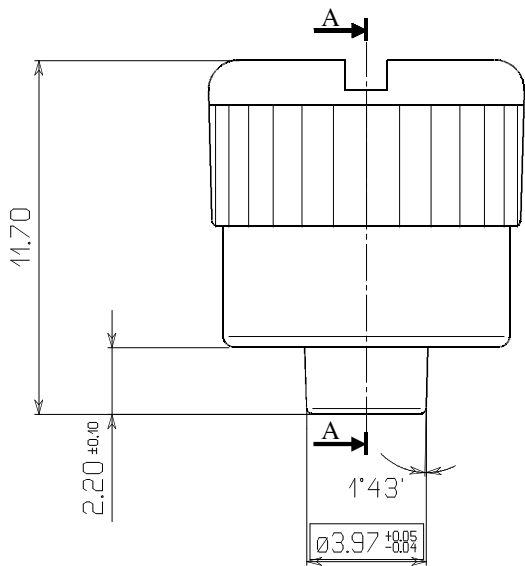
Tav. N°

C

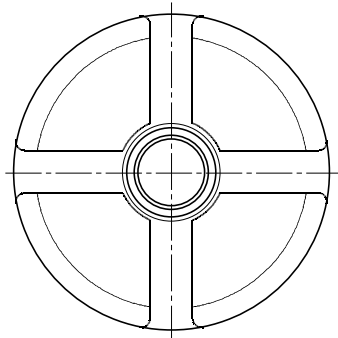
ZIGRINATURA  
N°30 DENTI



SEZ. A:A



FILETTATURA A 2  
PRINCIPI PASSO 5



**ORIGINAL IN  
RED**



CONFORME ALLE NORME ISO-594

DIMENSIONAL TOLERANCES ACCORDING TO EN 20286 (ISO 286)		SCALE SCALA 4:1		ITEM	ARTICLE CODE	MATERIAL CODE	TITLE	MATERIAL OR TITLE	NOTE	
EN 20286	Js 01	Js 4	Js 9	Js 14	33628502L	9700650000	TERLUX 2802 HD	ABS	+1% Col.Blu Cod.9780020000	
	Js 0	Js 5	Js 10	Js 15	33628501L	9700650000	TERLUX 2802 HD	ABS	+1% Col.Rosso Cod.9780010000	
	Js 1	Js 6	Js 11	Js 16	33628500L	9700650000	TERLUX 2802 HD	ABS		
	Js 2	Js 7	Js 12	Js 17						
	Js 3	Js 8	Js 13							
DATE DATA 25/01/2008				CHECKED - VISTO <i>[Signature]</i>		ARTICLE DESCRIPTION DESCRIZIONE <b>TAPPO ABS LUER LOCK MASCHIO</b>			DRAWING CODE NR. STAMPO <b>336-2L</b>	
				CHANGED FROM - MODIFICHE						