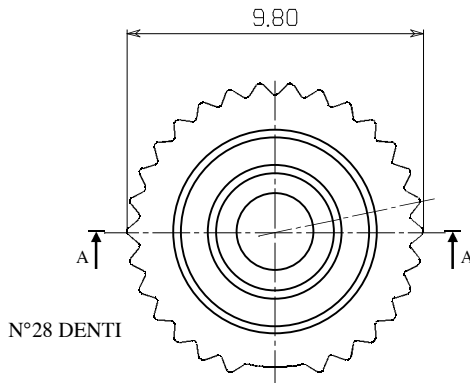
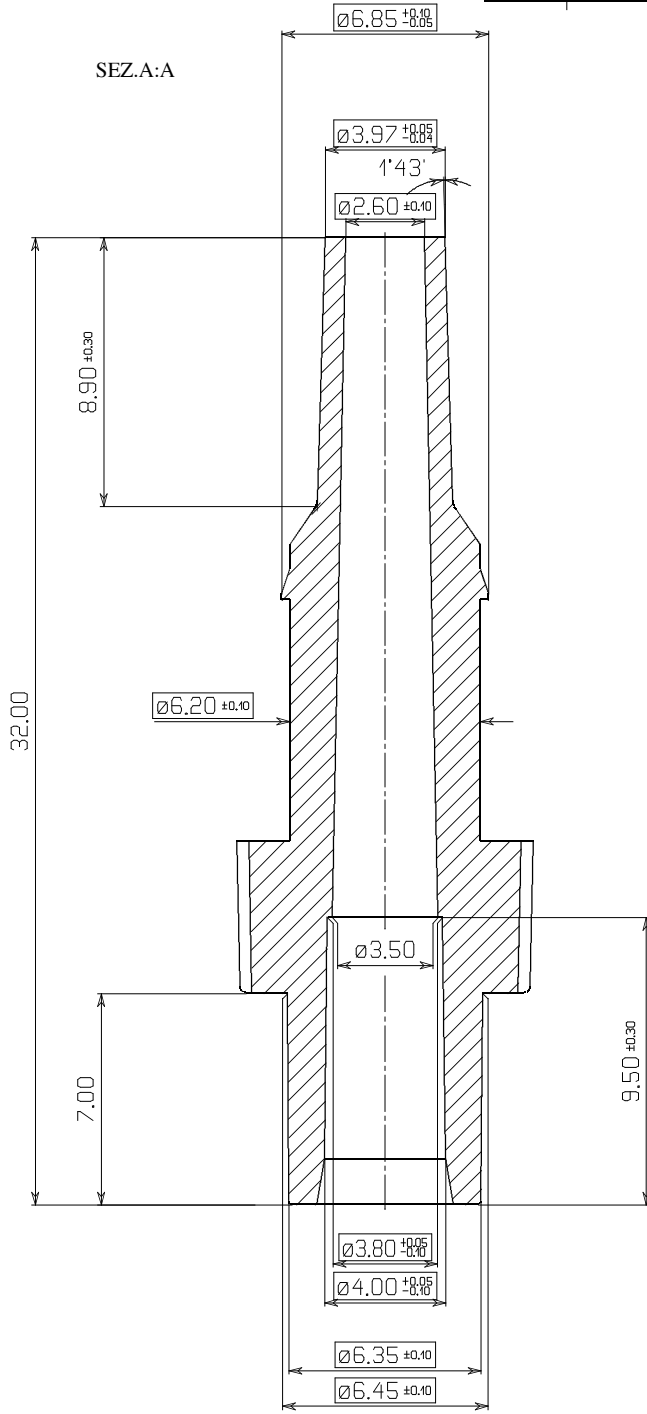
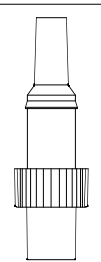


THIS MATERIAL IS THE PROPERTY OF LUCOMED S.p.A. THE INFORMATION IS CONFIDENTIAL AND IS TO BE USED ONLY IN CONNECTION WITH MATTERS AUTHORIZED BY LUCOMED S.p.A. AND NO PART OF IT IS TO BE DISCLOSED TO OTHERS WITHOUT PRIOR WRITTEN PERMISSION FROM LUCOMED S.p.A.

Tav. N°



ORIGINAL IN RED



CONFORME ALLE NORME ISO-594

DIMENSIONAL TOLERANCES ACCORDING TO EN 20286 (ISO 286)				SCALE SCALA						
				4:1			37248500L	9700650000	TERLUX 2802 HD	ABS
EN 20286	Js 01	Js 4	Js 9	Js 14	DATE	CHECKED - VISTO	ARTICLE CODE	MATERIAL CODE	TITLE	MATERIAL OR TITLE
	Js 0	Js 5	Js 10	Js 15	25/01/2008	<i>S.</i>				
	Js 1	Js 6	Js 11	Js 16		CHANGED FROM - MODIFICHE				
	Js 2	Js 7	Js 12	Js 17						
	Js 3	Js 8	Js 13							
							ARTICLE DESCRIPTION DESCRIZIONE			DRAWING CODE NR. STAMPO
							CORPO RACCORDO LUER LOCK MASCHIO GIREVOLE ø 4.1			372-4L