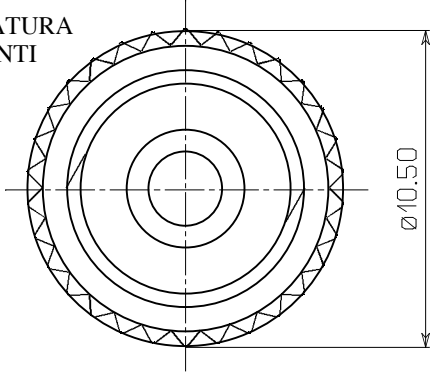


THIS MATERIAL IS THE PROPERTY OF LUCOMED S.p.A. THE INFORMATION IS CONFIDENTIAL AND IS TO BE USED ONLY IN CONNECTION WITH MATTERS AUTHORIZED BY LUCOMED S.p.A. AND NO PART OF IT IS TO BE DISCLOSED TO OTHERS WITHOUT PRIOR WRITTEN PERMISSION FROM LUCOMED S.p.A.

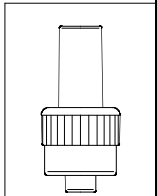
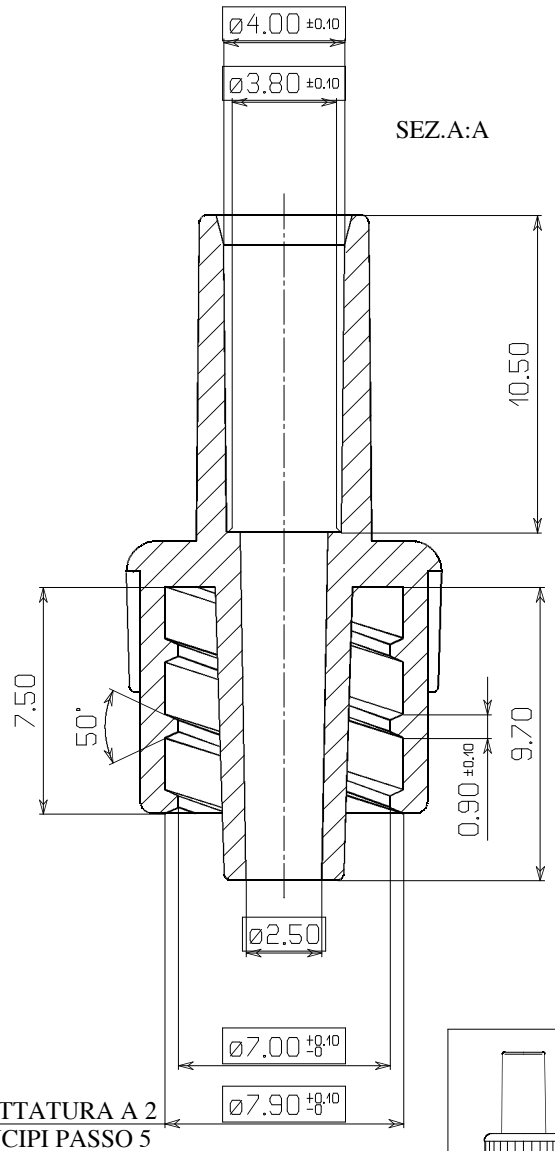
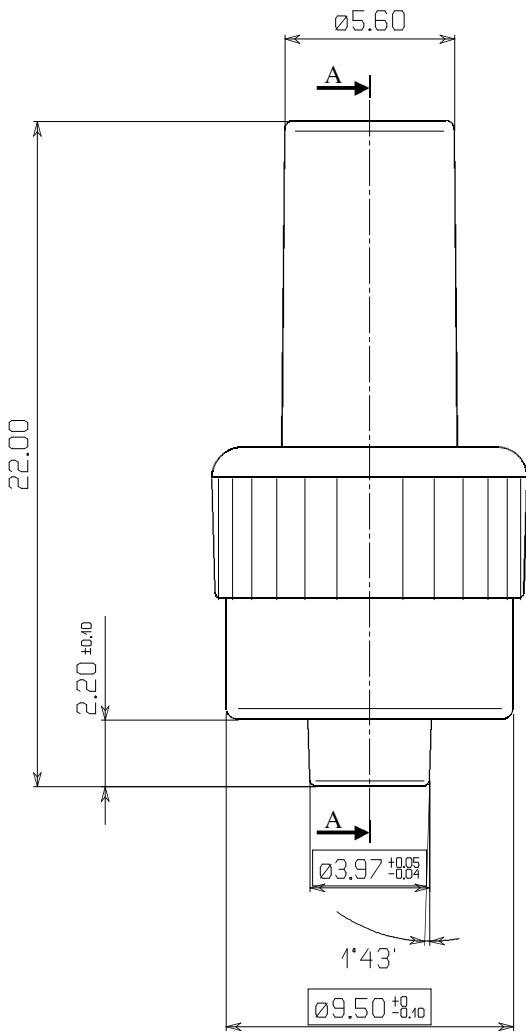


Tav. N°  
**C**

ZIGRINATURA  
N°30 DENTI



**ORIGINAL IN  
RED**



CONFORME ALLE NORME ISO-594

DIMENSIONAL TOLERANCES  
ACCORDING TO EN 20286  
(ISO 286)

SCALE  
SCALA

4:1

DATE

25/01/2008

CHECKED - VISTO

CHANGED FROM - MODIFICHE

38308503L

ARTICLE CODE

9700650000

MATERIAL CODE

TERLUX  
2802 HD

TITLE

ABS

MATERIAL  
OR TITLE

+2% Col. BIANCO  
Cod. 9780030000

NOTE

ARTICLE DESCRIPTION  
DESCRIZIONE

**RACCORDO ø 4.1  
LUER LOCK MASCHIO  
BIANCO**

DRAWING CODE  
NR. STAMPO

383WL

EN 20286	Js 01	Js 4	Js 9	Js 14
	Js 0	Js 5	Js 10	Js 15
	Js 1	Js 6	Js 11	Js 16
	Js 2	Js 7	Js 12	Js 17
	Js 3	Js 8	Js 13	