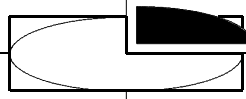
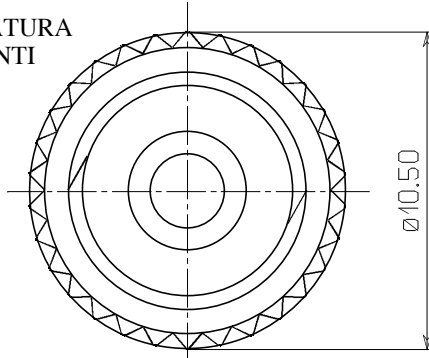


THIS MATERIAL IS THE PROPERTY OF LUCOMED S.p.A. THE INFORMATION IS CONFIDENTIAL AND IS TO BE USED ONLY IN CONNECTION WITH MATTERS AUTHORIZED BY LUCOMED S.p.A. AND NO PART OF IT IS TO BE DISCLOSED TO OTHERS WITHOUT PRIOR WRITTEN PERMISSION FROM LUCOMED S.p.A.

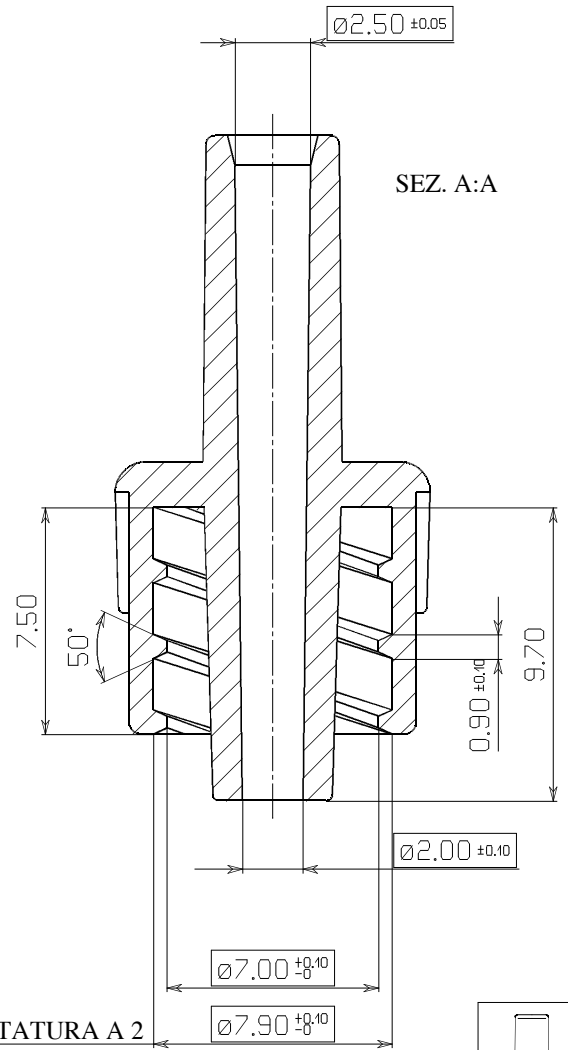
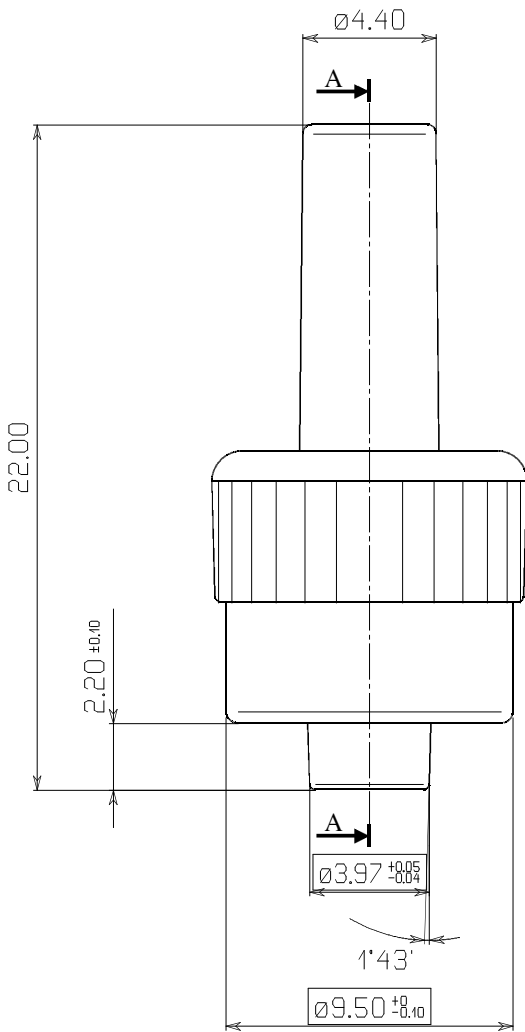


Tav. N°
C

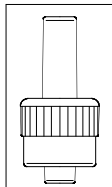
ZIGRINATURA
N°30 DENTI



**ORIGINAL IN
RED**



FILETTATURA A 2
PRINCIPI PASSO 5



CONFORME ALLA NORMA ISO-594

DIMENSIONAL TOLERANCES
ACCORDING TO EN 20286
(ISO 286)

SCALE
SCALA

4:1

DATE
DATA

25/01/2008

CHECKED - VISTO

CHANGED FROM - MODIFICHE

[Handwritten signatures]

ARTICLE DESCRIPTION
DESCRIZIONE

**RACCORDO ϕ 2.5
LUER LOCK MASCHIO
ABS BIANCO**

DRAWING CODE
NR. STAMPO

**383-1L
ABS-W**

ITEM	ARTICLE CODE	MATERIAL CODE	TITLE	MATERIAL OR TITLE	NOTE
	38318503L	9700650000	TERLUX 2802 HD	ABS	+2% Col. BIANCO Cod. 9780030000

EN 20286	Js 01	Js 4	Js 9	Js 14
	Js 0	Js 5	Js 10	Js 15
	Js 1	Js 6	Js 11	Js 16
	Js 2	Js 7	Js 12	Js 17
	Js 3	Js 8	Js 13	