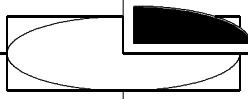
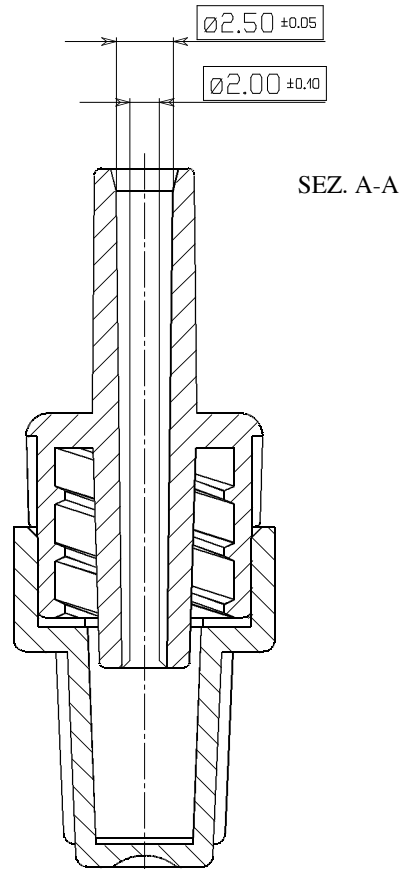
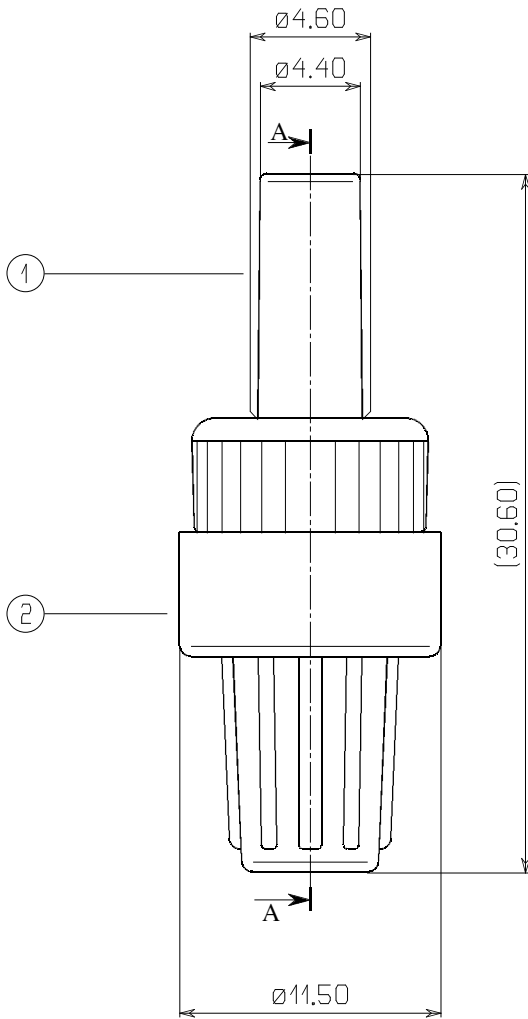


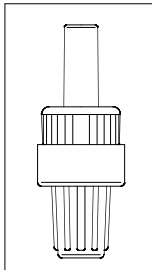
THIS MATERIAL IS THE PROPERTY OF LUCOMED S.p.A. THE INFORMATION IS CONFIDENTIAL AND IS TO BE USED ONLY IN CONNECTION WITH MATTERS AUTHORIZED BY LUCOMED S.p.A. AND NO PART OF IT IS TO BE DISCLOSED TO OTHERS WITHOUT PRIOR WRITTEN PERMISSION FROM LUCOMED S.p.A.



Tav. N°
C



ORIGINAL IN RED



CONFORME ALLE NORME ISO-594				(2)	38208200L	9700450000	RIBLENE FH 20	PE	
DIMENSIONAL TOLERANCES ACCORDING TO EN 20286 (ISO 286)				(1)	38318500L	9700650000	TERLUX 2802 HD	ABS	
SCALE SCALA 3:1					3831L/382L				
DATE DATA 25/01/2008				CHECKED - VISTO	ARTICLE CODE	MATERIAL CODE	TITLE	MATERIAL OR TITLE	NOTE
CHANGED FROM - MODIFICHE				ARTICLE DESCRIPTION DESCRIZIONE RACCORDO L.L.M ø 2.5 CON CAPSULA LABIRINTICA				DRAWING CODE NR. STAMPO 3831L/382L	
EN 20286	Js 01	Js 4	Js 9	Js 14					
	Js 0	Js 5	Js 10	Js 15					
	Js 1	Js 6	Js 11	Js 16					
	Js 2	Js 7	Js 12	Js 17					
	Js 3	Js 8	Js 13						