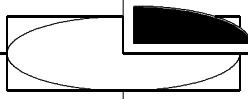
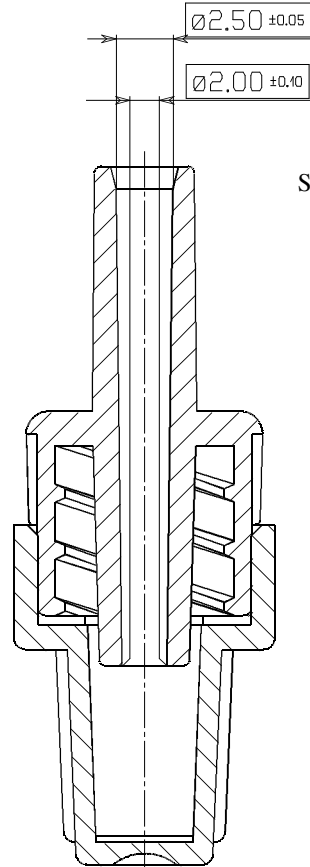
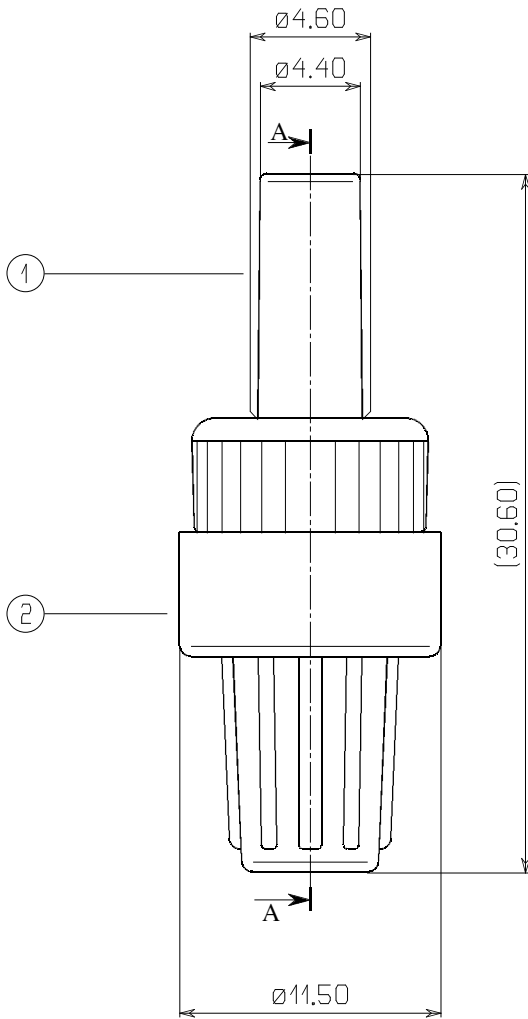


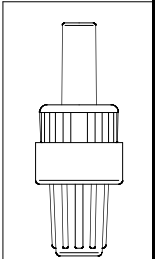
THIS MATERIAL IS THE PROPERTY OF LUCOMED S.p.A. THE INFORMATION IS CONFIDENTIAL AND IS TO BE USED ONLY IN CONNECTION WITH MATTERS AUTHORIZED BY LUCOMED S.p.A. AND NO PART OF IT IS TO BE DISCLOSED TO OTHERS WITHOUT PRIOR WRITTEN PERMISSION FROM LUCOMED S.p.A.



Tav. N°
C



ORIGINAL IN RED



CONFORME ALLE NORME ISO-594				(2)	38208200L	9700450000	RIBLENE FH 20	PE	
DIMENSIONAL TOLERANCES ACCORDING TO EN 20286 (ISO 286)				(1)	38318503L	9700650000	TERLUX 2802 HD	ABS	+2% Col. BIANCO Cod. 9780030000
SCALE SCALA 3:1					3831W/382L				
				ITEM	ARTICLE CODE	MATERIAL CODE	TITLE	MATERIAL OR TITLE	NOTE
EN 20286	Js 01	Js 4	Js 9	Js 14	CHECKED - VISTO	ARTICLE DESCRIPTION DESCRIZIONE RACCORDO L.L.M ø 2.5 BIANCO CON CAPSULA LABIRINTICA			DRAWING CODE NR. STAMPO 3831W/382L
	Js 0	Js 5	Js 10	Js 15					
	Js 1	Js 6	Js 11	Js 16					
	Js 2	Js 7	Js 12	Js 17					
	Js 3	Js 8	Js 13		CHANGED FROM - MODIFICHE				
DATE DATA 25/01/2008									