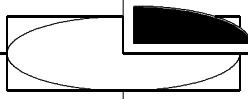
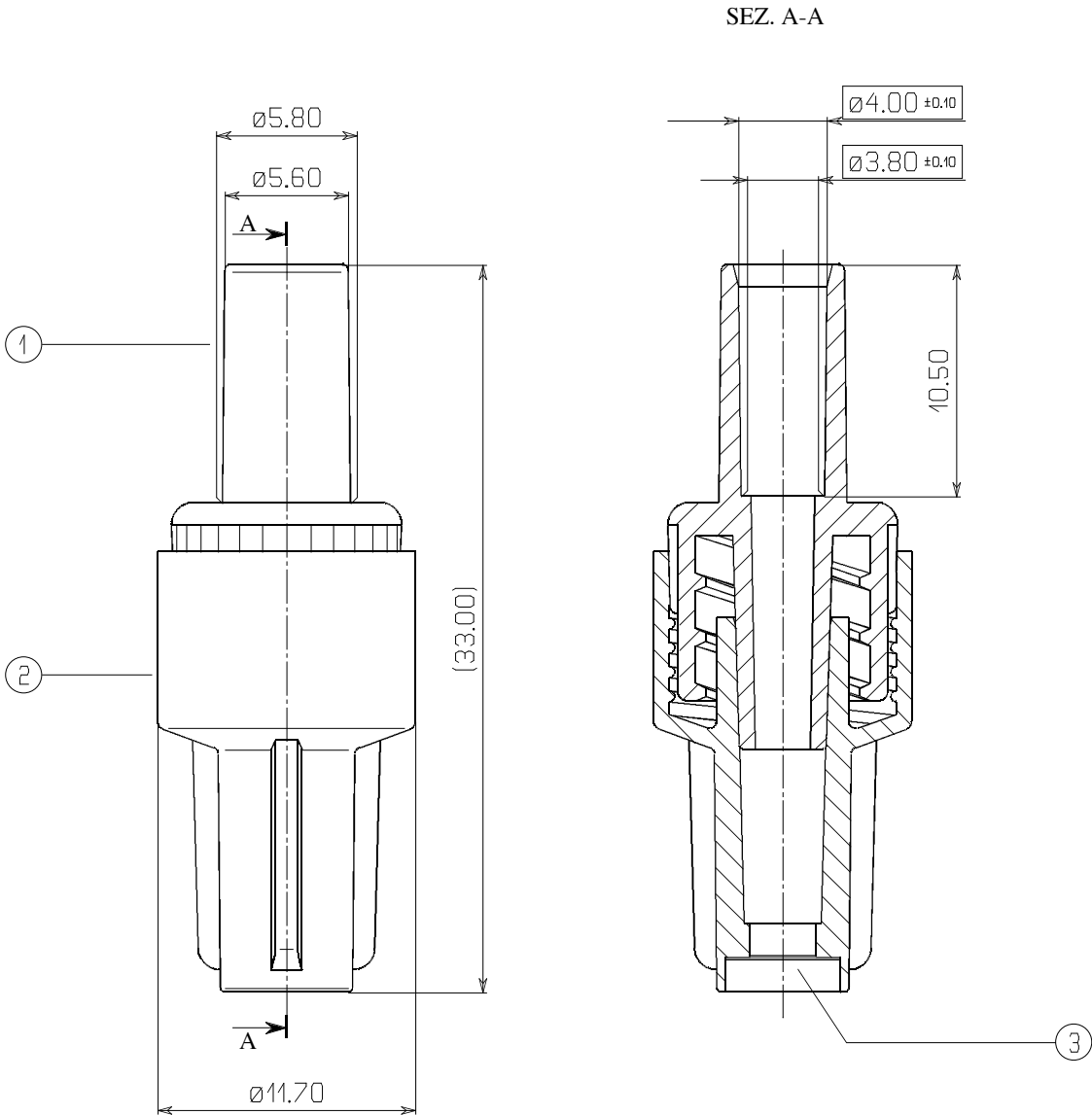


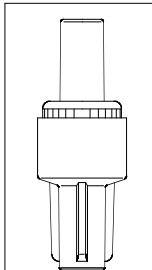
THIS MATERIAL IS THE PROPERTY OF LUCOMED S.p.A. THE INFORMATION IS CONFIDENTIAL AND IS TO BE USED ONLY IN CONNECTION WITH MATTERS AUTHORIZED BY LUCOMED S.p.A. AND NO PART OF IT IS TO BE DISCLOSED TO OTHERS WITHOUT PRIOR WRITTEN PERMISSION FROM LUCOMED S.p.A.



Tav. N°
C



ORIGINAL IN RED



CONFORME ALLE NORME ISO-594				(3)	031F8200L	7410081000	VERSAPOR V 3000 R	MEMBRANE		
				(2)		9700450000	RIBLENE FH 20	PE		
DIMENSIONAL TOLERANCES ACCORDING TO EN 20286 (ISO 286)				(1)	38308500L	9700650000	TERLUX 2802 HD	ABS		
SCALE SCALA 3:1					383L/031F					
EN 20286	Js 01	Js 4	Js 9	Js 14	ITEM	ARTICLE CODE	MATERIAL CODE	TITLE	MATERIAL OR TITLE	NOTE
	Js 0	Js 5	Js 10	Js 15	CHECKED - VISTO <i>[Signature]</i> CHANGED FROM - MODIFICHE <i>[Signature]</i>					DRAWING CODE NR. STAMPO 383L/031F
	Js 1	Js 6	Js 11	Js 16	ARTICLE DESCRIPTION DESCRIZIONE RACCORDO L.L.M ø 4.1 ABS CON CAPSULA LABIRINTICA A MEMBRANA					
	Js 2	Js 7	Js 12	Js 17	DATE DATA 25/01/2008					
	Js 3	Js 8	Js 13							