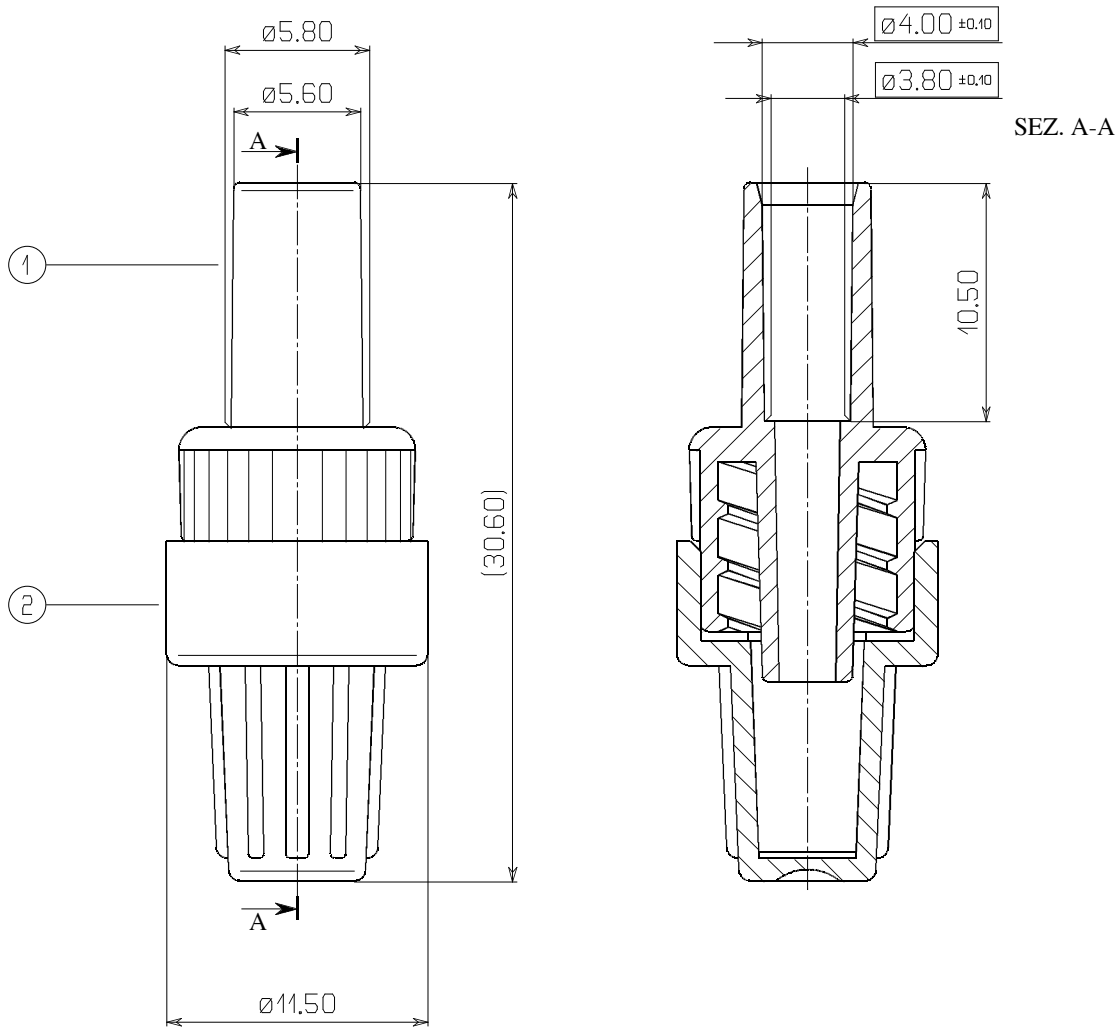


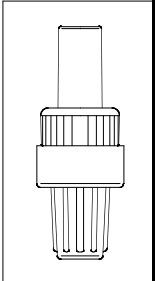
THIS MATERIAL IS THE PROPERTY OF LUCOMED S.p.A. THE INFORMATION IS CONFIDENTIAL AND IS TO BE USED ONLY IN CONNECTION WITH MATTERS AUTHORIZED BY LUCOMED S.p.A. AND NO PART OF IT IS TO BE DISCLOSED TO OTHERS WITHOUT PRIOR WRITTEN PERMISSION FROM LUCOMED S.p.A.



Tav. N°
C



**ORIGINAL IN
RED**



CONFORME ALLE NORME ISO-594				(2)	38208200L	9700450000	RIBLENE FH 20	PE		
DIMENSIONAL TOLERANCES ACCORDING TO EN 20286 (ISO 286)				(1)	38308500L	9700650000	TERLUX 2802 HD	ABS		
SCALE SCALA 3:1					383L/382L					
				ITEM	ARTICLE CODE	MATERIAL CODE	TITLE	MATERIAL OR TITLE	NOTE	
EN 20286	Js 01	Js 4	Js 9	Js 14	CHECKED - VISTO CHANGED FROM - MODIFICHE	ARTICLE DESCRIPTION DESCRIZIONE RACCORDO L.L.M CON CAPSULA LABIRINTICA			DRAWING CODE NR. STAMPO 383L/382L	
	Js 0	Js 5	Js 10	Js 15						
	Js 1	Js 6	Js 11	Js 16						
	Js 2	Js 7	Js 12	Js 17						
	Js 3	Js 8	Js 13							
DATE DATA 25/01/2008										