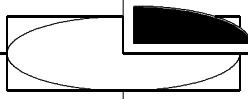
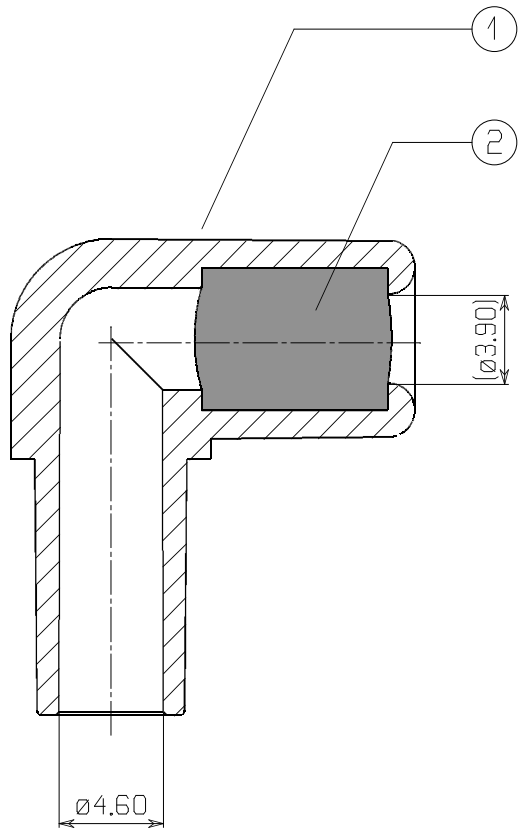
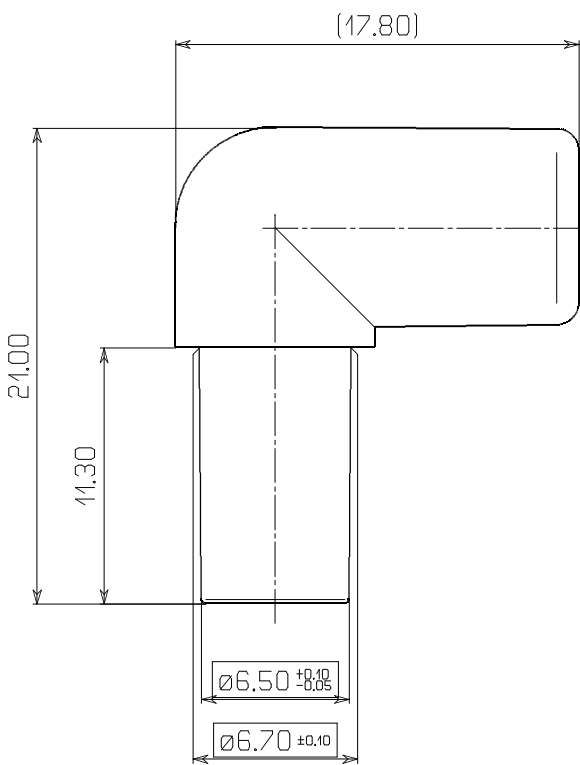


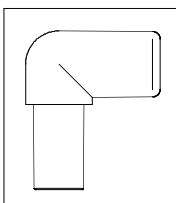
THIS MATERIAL IS THE PROPERTY OF LUCOMED S.p.A. THE INFORMATION IS CONFIDENTIAL AND IS TO BE USED ONLY IN CONNECTION WITH MATTERS AUTHORIZED BY LUCOMED S.p.A. AND NO PART OF IT IS TO BE DISCLOSED TO OTHERS WITHOUT PRIOR WRITTEN PERMISSION FROM LUCOMED S.p.A.



Tav. N°
C



ORIGINAL IN RED



DIMENSIONAL TOLERANCES ACCORDING TO EN 20286 (ISO 286)				SCALE SCALA 3:1		(2)	003I8700	9702050000	07001603	POLIISOPRENE
						(1)	42108500L	9700650000	TERLUX 2802 HD	ABS
							406I9900L			
						ITEM	ARTICLE CODE	MATERIAL CODE	TITLE	MATERIAL OR TITLE
EN 20286	Js 01	Js 4	Js 9	Js 14	DATE DATA	ARTICLE DESCRIPTION DESCRIZIONE				DRAWING CODE NR. STAMPO
	Js 0	Js 5	Js 10	Js 15	25/01/2008	RACCORDO A GOMITO SEDE TUBO EST. ø 6.8 RIVETT. LATEX-FREE				406IL/SM
	Js 1	Js 6	Js 11	Js 16	CHECKED - VISTO					
	Js 2	Js 7	Js 12	Js 17	CHANGED FROM - MODIFICHE					
	Js 3	Js 8	Js 13							