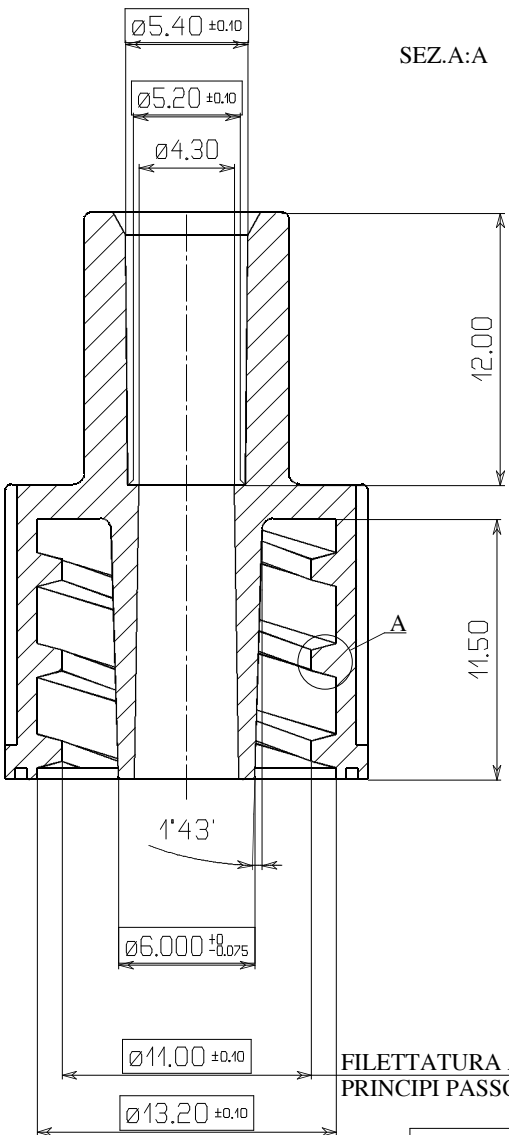
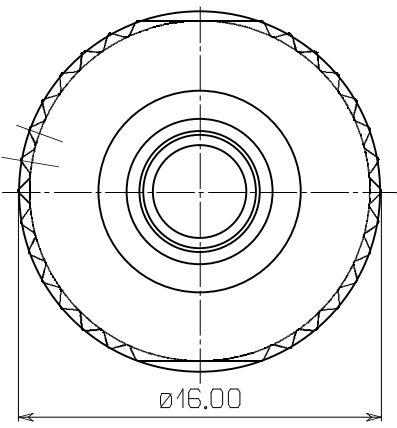
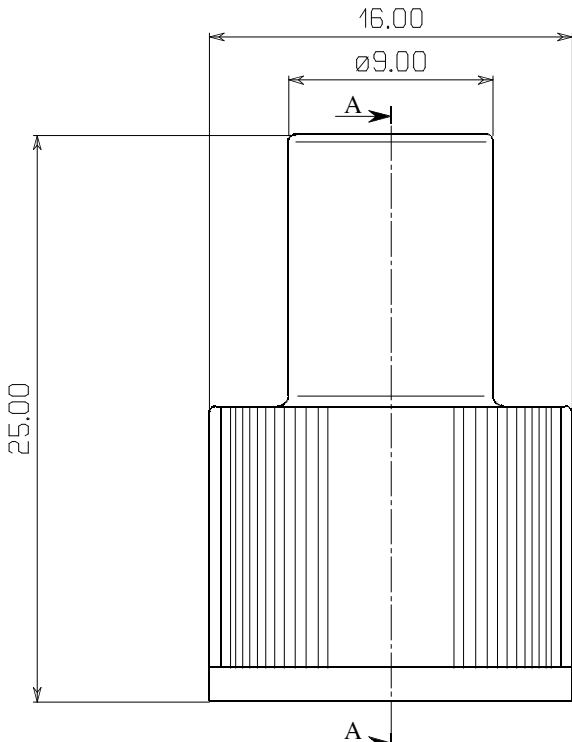
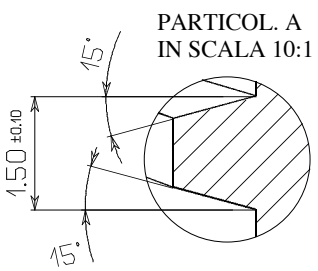
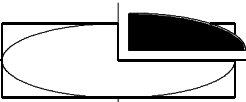
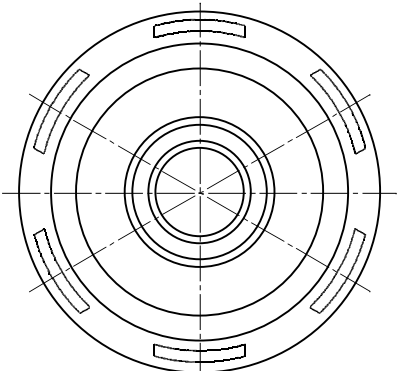


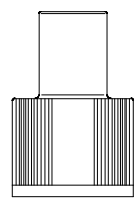
THIS MATERIAL IS THE PROPERTY OF LUCOMED S.p.A. THE INFORMATION IS CONFIDENTIAL AND IS TO BE USED ONLY IN CONNECTION WITH MATTERS AUTHORIZED BY LUCOMED S.p.A. AND NO PART OF IT IS TO BE DISCLOSED TO OTHERS WITHOUT PERMISSION FROM LUCOMED S.p.A.

Tav. N°
C



FILETTATURA A 2 PRINCIPI PASSO 8

ORIGINAL IN RED



NOTE:
CONFORME
ALLE NORME
EN 1283

DIMENSIONAL TOLERANCES
ACCORDING TO EN 20286
(ISO 286)

SCALE
SCALA

3:1

DATE
DATA

25/01/2008

CHECKED - VISTO

CHANGED FROM - MODIFICHE

[Signature]

ARTICLE DESCRIPTION
DESCRIZIONE
**RACCORDO LOCK MASCHIO
x ATTACCO DIALIZZATORE
SEDE TUBO ø 5.5**

DRAWING CODE
NR. STAMPO

**409-1L
ABS**

EN 20286

Js 01	Js 4	Js 9	Js 14
Js 0	Js 5	Js 10	Js 15
Js 1	Js 6	Js 11	Js 16
Js 2	Js 7	Js 12	Js 17
Js 3	Js 8	Js 13	

ITEM	ARTICLE CODE	MATERIAL CODE	TITLE	MATERIAL OR TITLE
	40918500L	9700650000	TERLUX 2802 HD	ABS