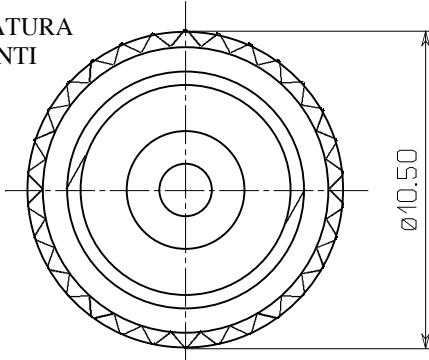


THIS MATERIAL IS THE PROPERTY OF LUCOMED S.p.A. THE INFORMATION IS CONFIDENTIAL AND IS TO BE USED ONLY IN CONNECTION WITH MATTERS AUTHORIZED BY LUCOMED S.p.A. AND NO PART OF IT IS TO BE DISCLOSED TO OTHERS WITHOUT PRIOR WRITTEN PERMISSION FROM LUCOMED S.p.A.

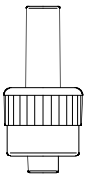
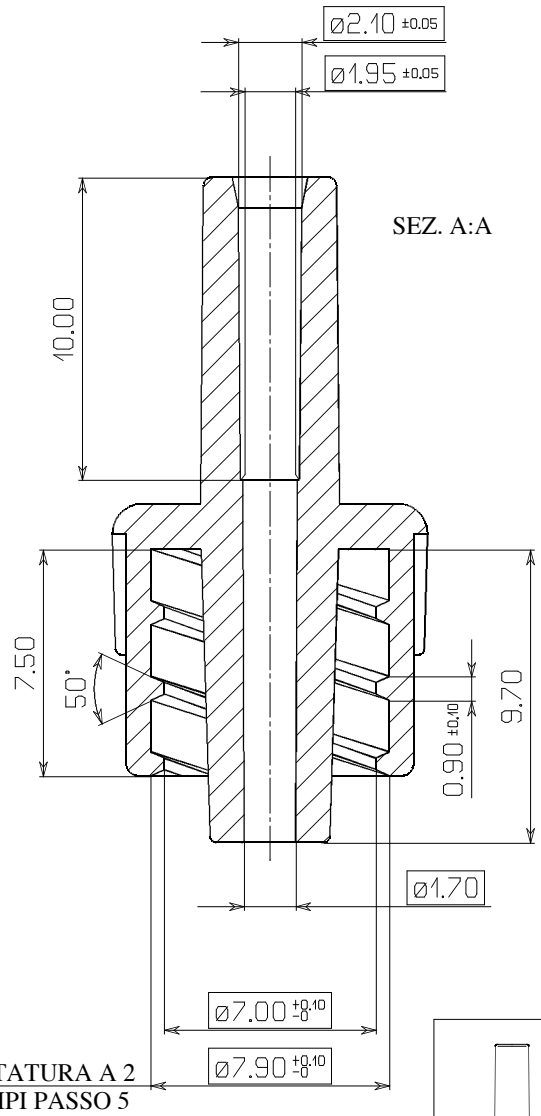
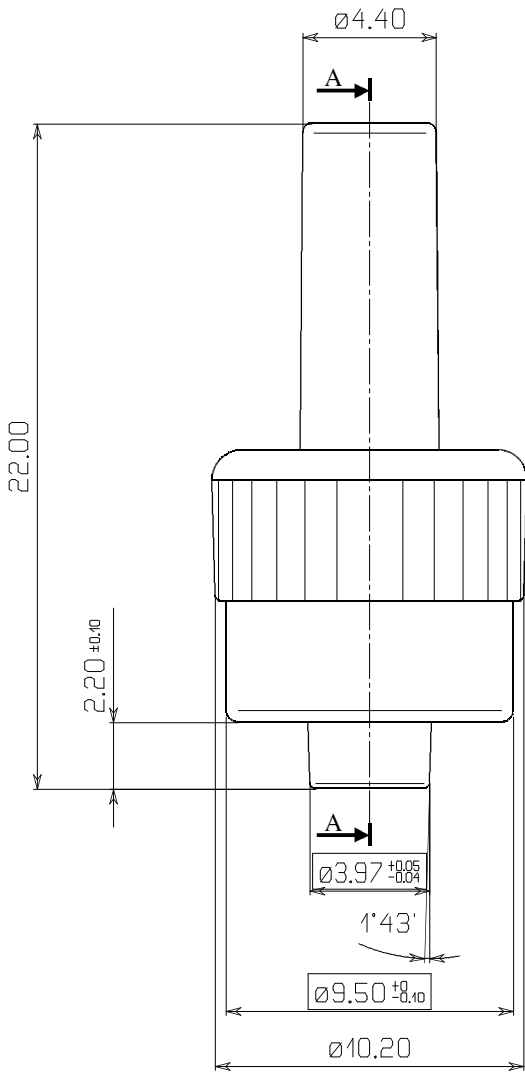


Tav. N°  
**C**

ZIGRINATURA  
N°30 DENTI



**ORIGINAL IN  
RED**



CONFORME ALLA NORMA ISO-594

DIMENSIONAL TOLERANCES  
ACCORDING TO EN 20286  
(ISO 286)

SCALE  
SCALA

4:1

EN 20286	Js 01	Js 4	Js 9	Js 14
	Js 0	Js 5	Js 10	Js 15
	Js 1	Js 6	Js 11	Js 16
	Js 2	Js 7	Js 12	Js 17
	Js 3	Js 8	Js 13	

DATE  
DATA  
25/01/2008

CHECKED - VISTO

CHANGED FROM - MODIFICHE

51908500L  
ARTICLE CODE

9700650000  
MATERIAL CODE

TERLUX  
2802 HD  
TITLE

ABS  
MATERIAL  
OR TITLE

NOTE

ARTICLE DESCRIPTION  
DESCRIZIONE  
**RACCORDO ø 2.0  
LUER LOCK MASCHIO**

DRAWING CODE  
NR. STAMPO

519L