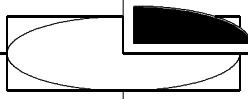
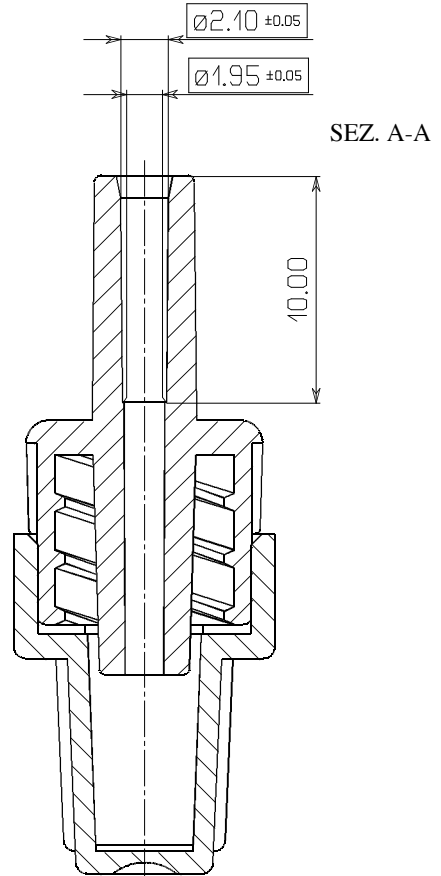
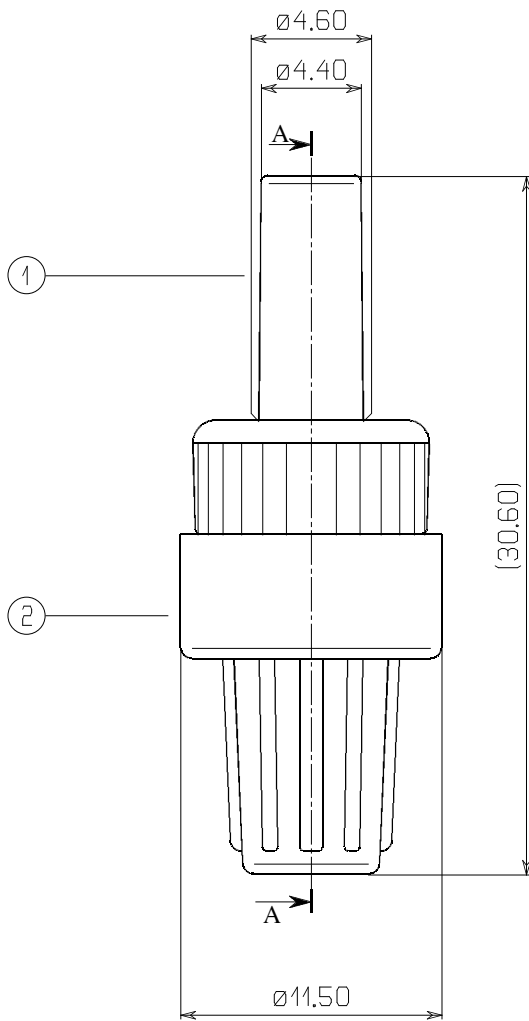


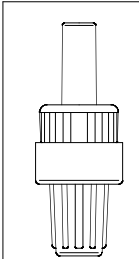
THIS MATERIAL IS THE PROPERTY OF LUCOMED S.p.A. THE INFORMATION IS CONFIDENTIAL AND IS TO BE USED ONLY IN CONNECTION WITH MATTERS AUTHORIZED BY LUCOMED S.p.A. AND NO PART OF IT IS TO BE DISCLOSED TO OTHERS WITHOUT PRIOR WRITTEN PERMISSION FROM LUCOMED S.p.A.



Tav. N°
C



**ORIGINAL IN
RED**



CONFORME ALLE NORME ISO-594				(2)	38208200L	9700450000	RIBLENE FH 20	PE																					
DIMENSIONAL TOLERANCES ACCORDING TO EN 20286 (ISO 286)				(1)	51908500L	9700650000	TERLUX 2802 HD	ABS																					
SCALE SCALA 3:1					519L/382L																								
DATE DATA 25/01/2008				CHECKED - VISTO	ARTICLE CODE	MATERIAL CODE	TITLE	MATERIAL OR TITLE	NOTE																				
<table border="1"> <tr><td>Js 01</td><td>Js 4</td><td>Js 9</td><td>Js 14</td></tr> <tr><td>Js 0</td><td>Js 5</td><td>Js 10</td><td>Js 15</td></tr> <tr><td>Js 1</td><td>Js 6</td><td>Js 11</td><td>Js 16</td></tr> <tr><td>Js 2</td><td>Js 7</td><td>Js 12</td><td>Js 17</td></tr> <tr><td>Js 3</td><td>Js 8</td><td>Js 13</td><td></td></tr> </table>				Js 01	Js 4	Js 9	Js 14	Js 0	Js 5	Js 10	Js 15	Js 1	Js 6	Js 11	Js 16	Js 2	Js 7	Js 12	Js 17	Js 3	Js 8	Js 13		CHECKED - VISTO <i>[Signature]</i> CHANGED FROM - MODIFICHE <i>[Signature]</i>	ARTICLE DESCRIPTION DESCRIZIONE RACCORDO L.L.M ø 2.0 BIANCO CON CAPSULA LABIRINTICA			DRAWING CODE NR. STAMPO 519L/382L	
Js 01	Js 4	Js 9	Js 14																										
Js 0	Js 5	Js 10	Js 15																										
Js 1	Js 6	Js 11	Js 16																										
Js 2	Js 7	Js 12	Js 17																										
Js 3	Js 8	Js 13																											